

Data Sheet: Optional book stacker BSS-10

The BSS-10 book stacker allows non-stop Smart-binder operation without the need for the operator to continually have to remove books from the delivery conveyor.



Book stacker BSS-10: for in-line connection to the Smart-binder delivery conveyor

[View BSS-10 video](#)

Books pass through the standard Smart-binder delivery conveyor into the BSS-10 stacker where they collect into horizontal piles up to 235mm (9.25") height (or special option up to 330mm (13") height). The number of books in each pile is selectable by the machine operator. A turntable in the stacker enables books within each pile to be stacked in batches with spines in each batch in the opposite direction to the spines in the next batch. This ensures pile stability by avoiding all the spines being on the same side.

Book piles are delivered onto a free running roller table where they accumulate until removed by the operator. In-line (or off-line) pile 'banding' is also available.

IBIS Customized Finishing Solutions

IBIS Integrated Bindery Systems Limited, 9 The Gateway Centre, Coronation Road, Cressex Business Park, High Wycombe, HP12 3SU, UK. Tel.: +44 (0) 1494 561 950 Fax: +44 (0) 1494 561 951

Email: info@ibis-bindery.com

Web site: www.ibis-bindery.com

Company registered in England, number 03703149. UK VAT Registration number 697 9379 42

BSS-10 stacker description of operation

Individual booklets from the IBIS Smart-binder delivery conveyor are conveyed 'spine leading' by a positive-control belt system up an inclined infeed. The booklets collect on top of each other in the upper 'bin' up to a quantity selected during the set up (or automatically controlled by the bar code). When this upper stack is complete then it is released to fall down into the lower bin which is on a turntable. Booklets then continue stacking in the upper bin.

If stack 'compensation' is required (to increase stack stability) then the turntable rotates 180 degrees between each drop from the upper bin. When the total stack height is reached in the lower bin then the stack is ejected onto a free running delivery roller table.

'Intelligent stacking' option SBCR-100

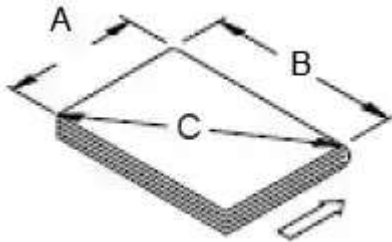
An optional bar code reader may be supplied to read a bar code on each booklet. An additional control system may then be programmed to use the bar code data to create stacks which contain specific booklets or signatures. This may be used for example to create stacks of signatures (book blocks) for subsequent perfect binding, or to create stacks of booklets in specific 'sets'.

Note: if automatic pile reject is needed, or gluing of signatures together within each stack, then select the more expensive Palamides stacker option BSS-20 or [BSS-30](#).

Other options

Include: table-up option, stack compression, motorized basket adjustment, servo-pusher

BSS-10 stacker - Key specifications



Booklet size – Dimension A	Min: 102mm (4"), Max: 320mm (12.63")
Booklet size – Dimension B	Min: 152mm (6"), Max: 4700mm (18.5")
Booklet size – Dimension C	Min: limited by A & B, Max: 520mm (20.5")

Booklet thickness	Min: 1mm (0.04"), Max: 32mm (1.25")
Max stack height – BSS-10	235mm (9.25")
Max stack height – BSS-10H	330mm (13")
Infeed height range standard BSS-10	660mm (26") to 990mm (39")
Infeed height range BSS-10H	750mm (29.5") to 1079mm (42.5")
Upper bin max height	127mm (5")
Delivery table height	876mm (34.5")
Other dimensions	See section below

IBIS Customized Finishing Solutions

IBIS Integrated Bindery Systems Limited, 9 The Gateway Centre, Coronation Road, Cressex Business Park, High Wycombe, HP12 3SU, UK. Tel.: +44 (0) 1494 561 950 Fax: +44 (0) 1494 561 951

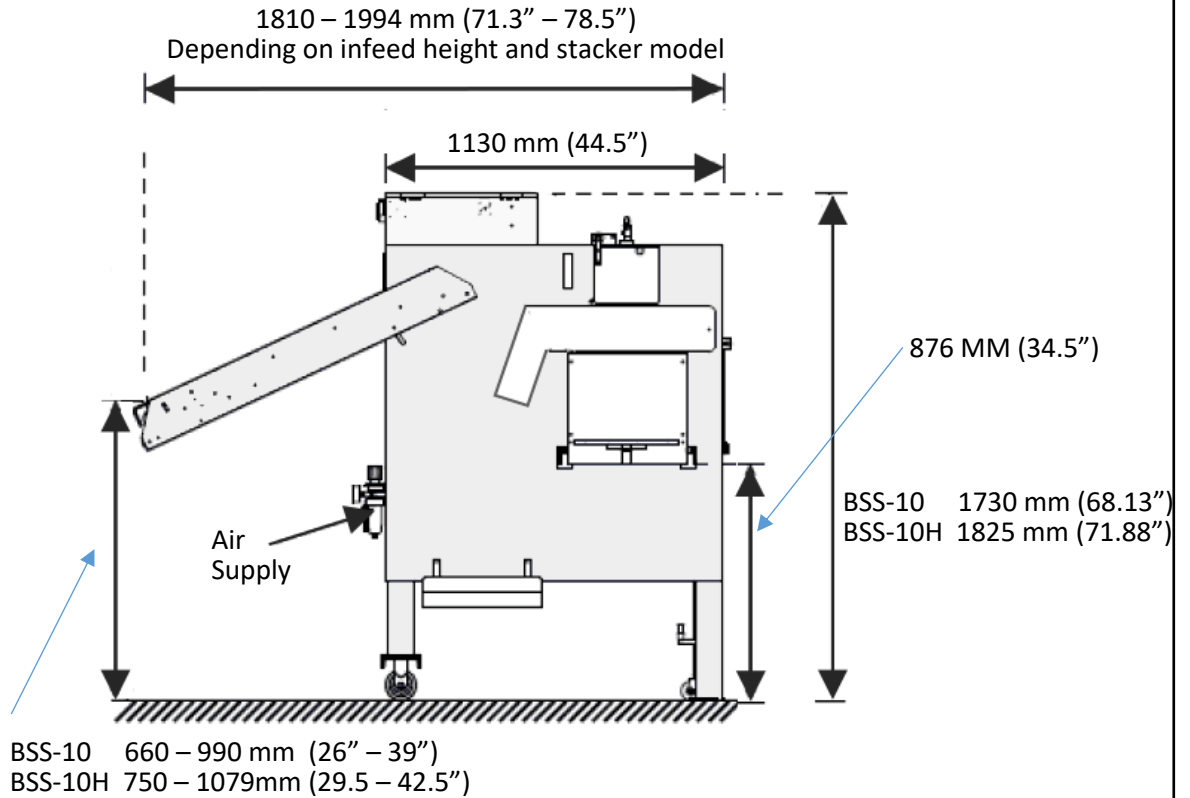
Email: info@ibis-bindery.com

Web site: www.ibis-bindery.com

Company registered in England, number 03703149. UK VAT Registration number 697 9379 42

Booklet orientation (for best stacking)	Spine-leading
Max speed	12,00 booklets/hr (limited by Smart-binder to 7,000 booklets/hr in 1-up mode)
Air required	85 liters/min at 5.5bar (3 cfm at 80 psi)
Input voltage	400 V, 3-phase
Noise level	Max 85 db(A)

Other Dimensions



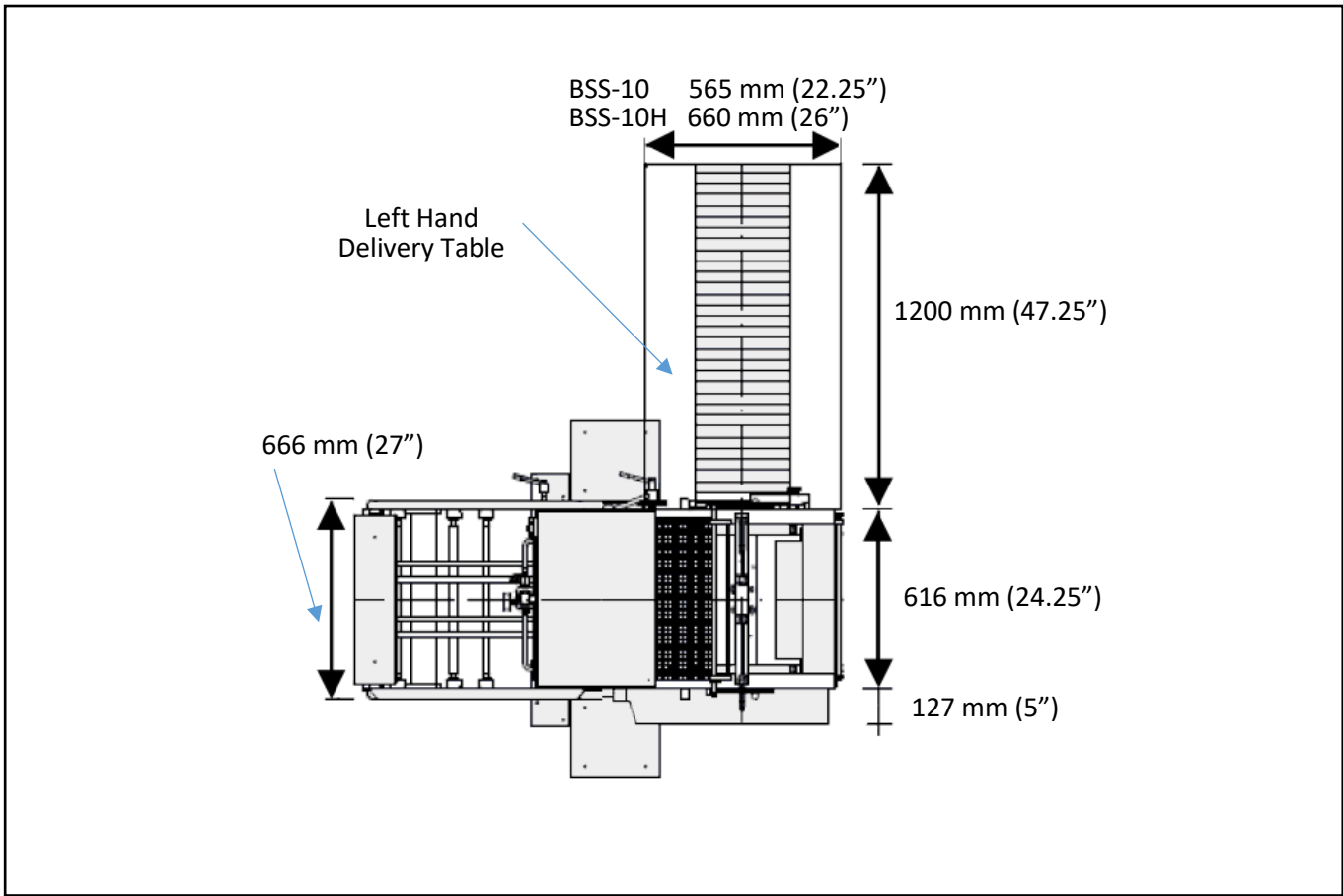
IBIS Customized Finishing Solutions

IBIS Integrated Bindery Systems Limited, 9 The Gateway Centre, Coronation Road, Cressex Business Park, High Wycombe, HP12 3SU, UK. Tel.: +44 (0) 1494 561 950 Fax: +44 (0) 1494 561 951

Email: info@ibis-bindery.com

Web site: www.ibis-bindery.com

Company registered in England, number 03703149. UK VAT Registration number 697 9379 42



IBIS Customized Finishing Solutions

IBIS Integrated Bindery Systems Limited, 9 The Gateway Centre, Coronation Road, Cressex Business Park, High Wycombe, HP12 3SU, UK. Tel.: +44 (0) 1494 561 950 Fax: +44 (0) 1494 561 951

Email: info@ibis-bindery.com

Web site: www.ibis-bindery.com

Company registered in England, number 03703149. UK VAT Registration number 697 9379 42